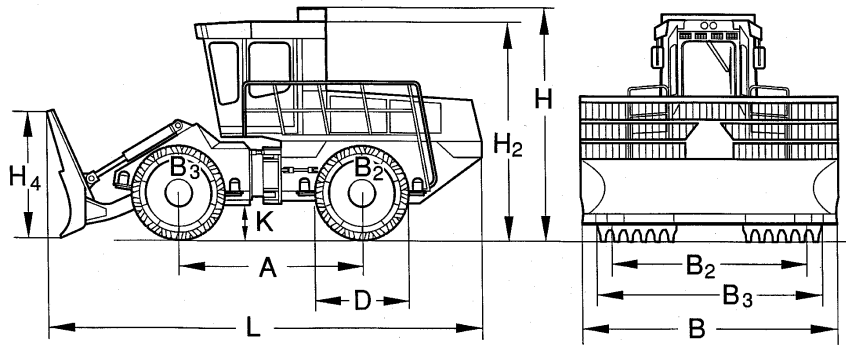


TECHNICAL DATA

REFUSE COMPACTOR

BC 572 RB-2, BC 672 RB-2, BC 772 RB-2





Dimensions in mm

	A	B	B2	B3	D	H	H2	H4	K	L
BC 572 RB-2	3500	3800	3550	3425	1660	4120	3820	1950	600	8120
BC 672 RB-2	3500	3800	3550	3775	1660	4120	3820	1950	600	8120
BC 772 RB-2	3500	3800	3550	3775	1660	4120	3820	1950	600	8120

Shipping dimensions in m3

BC 572 RB-2	117,870
BC 672 RB-2	117,870
BC 772 RB-2	117,870

Technical Data**BOMAG
BC 572 RB-2****BOMAG
BC 672 RB-2****BOMAG
BC 772 RB-2****Weights**

Grossweight	kg	29.200	32.700	37.100
Operating weight CECE	kg	28.600	32.100	36.500
Axle load, front CECE	kg	14.150	15.300	17.400
Axle load, rear CECE	kg	14.450	16.800	19.100

Driving Characteristics

Speed (1), forward	km/h	0- 4,5	0- 4,0	0- 4,0
Speed (1), reverse	km/h	0- 4,5	0- 4,0	0- 4,0
Speed (2), forward	km/h	0- 12,0	0- 7,5	0- 7,5
Speed (2), reverse	km/h	0- 12,0	0- 7,5	0- 7,5
Speed (3), forward	km/h		0- 12,0	0- 12,0
Speed (3), reverse	km/h		0- 12,0	0- 12,0
Max. gradeability (dep. on soil con.) .	%	100	100	100
Max. pushing force	kN	309	346	394

Drive

Engine manufacturer		Deutz	Deutz	Deutz
Type		TCD 2013 L06 4V	TCD 2015 V06	TCD 2015 V06
Emission stage		3/3a	3/3a	3/3a
Cooling		water	water	water
Number of cylinders		6	6	6
Performance ISO 9249	kW	227,0	330,0	330,0
Performance SAE J 1349	hp	304,0	442,0	442,0
Speed	min-1	2.200	2.100	2.100
Travel system		hydrost.	hydrost.	hydrost.
Operating voltage	V	24	24	24

Compaction Wheels

Width, front / rear	mm	1.175/1.125	1.350/1.125	1.350/1.125
Outer diameter (front)	mm	1.660	1.660	1.660
Outer diameter (rear)	mm	1.660	1.660	1.660
Number of teeth/cutters, front		50	60	60
Number of teeth/cutters, rear		50	50	50
Compaction coverage per side	mm	1.175	1.350	1.350

Brakes

Service brake		hydrost.	hydrost.	hydrost.
Parking brake		hydromec.	hydromec.	hydromec.

Steering

Steering system		oscil.artic.	oscil.artic.	oscil.artic.
Steering method		hydraulic	hydraulic	hydraulic
Steering / oscillating angle +/-	grad	40/15	40/15	40/15
Track radius, inner	mm	3.265	3.090	3.090

Dozer Blade

Height adjustment over ground level .	mm	1.200	1.200	1.200
Height adjustment below ground level	mm	120	120	120
Dozer blade capacity acc. to SAE J 1265	m3	11,6	11,6	11,6

Capacities

Fuel	l	500,0	500,0	500,0
Engine oil	l	18,0	36,0	36,0
Hydraulic oil	l	350,0	350,0	350,0

Technical modifications reserved. Machines may be shown with options.

Standard Equipment

Optional Equipment

- Premium compaction wheels with highly wear resistant teeth
- Reversing monitor
- Blade 4356 mm (open design) (BC672, BC772)
- Semi-U-Blade 3750mm
- Semi-U-Blade 4480mm (BC672, BC772)
- PS3 Bucket 3800mm (BC672, BC772)
- Pre start cabin heating
- Fire extinguisher
- Special painting
- Environmentally compliant hydraulic oil
- Protective ventilation system (Pre-installation)
- Lockable hood lock (anti-theft protection)
- Tool kit
- Reversible fan
- TELEMATIC POWER
- Tachograph
- Automatic heating - air conditioning



PRE 570 32 010

050216 Sa

BOMAG
Hellerwald
D-56154 Boppard
P.O. Box 5162
Tel. (0)6742 - 1000
Fax (0)6742 - 3090

