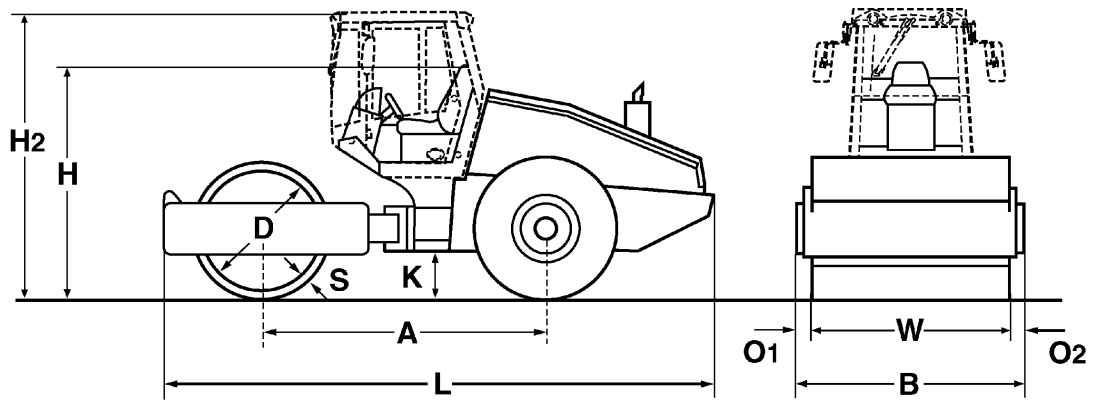


TECHNICAL DATA

SINGLE DRUM ROLLER

BW 215 D-40





Dimensions in mm

| | A | B | D | H | H2 | K | L | O1 | O2 | S | W |
|--------------------|----------|----------|----------|----------|-----------|----------|----------|-----------|-----------|----------|----------|
| BW 215 D-40 | 2960 | 2300 | 1500 | 2268 | 2985 | 490 | 5930 | 85 | 85 | 35 | 2130 |

Shipping dimensions in m3

BW 215 D-40

without ROPS

30,933

with ROPS

40,712

| Machine type | Compaction output (m3/h) | | | |
|---------------------|---------------------------------|---------------------|-------------------|-------------------|
| | Rock fill | Gravel, sand | Mixed soil | Silt, clay |
| BW 215 D-40 | 500-950 | 350-750 | 280-550 | 190-370 |

| Machine type | Compacted layer thickness (m) | | | |
|---------------------|--------------------------------------|---------------------|-------------------|-------------------|
| | Rock fill | Gravel, sand | Mixed soil | Silt, clay |
| BW 215 D-40 | 0,90 | 0,60 | 0,50 | 0,25 |

Technical Data

BOMAG BW 215 D-40

Weights

| | | |
|---|-------|--------|
| Grossweight | kg | 15.600 |
| Max. axle load, drum CECE | kg | 9.360 |
| Max. axle load, wheels CECE | kg | 6.240 |
| Operating weight CECE w. ROPS-cabin | kg | 14.050 |
| Axle load, drum CECE | kg | 8.420 |
| Axle load, wheels CECE | kg | 5.630 |
| Static linear load CECE | kg/cm | 39,5 |
| Max. static linear load CECE | kg/cm | 39,5 |

Dimensions

| | | |
|---------------------------|----|-------|
| Track radius, inner | mm | 3.494 |
|---------------------------|----|-------|

Driving Characteristics

| | | |
|---|------|--------|
| Speed (1) | km/h | 0- 4,0 |
| Speed (2) | km/h | 0- 7,0 |
| Max. gradeability without/with vibr. | % | 50/48 |

Drive

| | | |
|------------------------------|-------|-------------|
| Engine manufacturer | | Deutz |
| Type | | BF4M 2012 C |
| Emission stage | | 2/2 |
| Cooling | | water |
| Number of cylinders | | 4 |
| Performance ISO 3046 | kW | 98,0 |
| Performance SAE J 1995 | hp | 132,0 |
| Speed | min-1 | 2.300 |
| Fuel | | diesel |
| Electric equipment | V | 12 |
| Drive system | | hydrost. |
| Drum driven | | standard |

Drums and Tyres

| | | |
|-----------------|--|--------------|
| Tyre size | | 23.1-26/12PR |
|-----------------|--|--------------|

Brakes

| | | |
|---------------------|--|-----------|
| Service brake | | hydrost. |
| Parking brake | | hydromec. |

Steering

| | | |
|--|------|--------------|
| Steering system | | oscil.artic. |
| Steering method | | hydrost. |
| Steering / oscillating angle +/- | grad | 35/12 |

Exciter system

| | | |
|-------------------------|----|-----------|
| Drive system | | hydrost. |
| Frequency | Hz | 30/36 |
| Amplitude | mm | 1,80/0,90 |
| Centrifugal force | kN | 275/202 |
| Centrifugal force | t | 28,1/20,6 |

Capacities

| | | |
|------------|---|-------|
| Fuel | l | 250,0 |
|------------|---|-------|

Technical modifications reserved. Machines may be shown with options.

Standard Equipment

- Warning, information and operation displays with round gauge
- Hydrostatic travel and vibration drive
- Hydrostatic articulated steering
- Articulated joint lock
- Rear axle with twin spring accumulator brakes
- No-Spin differential lock
- Warning horn
- Single lever control for travel and vibration
- Scrapers
- Emergency STOP
- Back-up warning system
- Operator seat

Optional Equipment

- ROPS/FOPS cabin with seat belts
- Working lights front / rear
- ROPS/FOPS with safety belt
- Comfort driver's seat
- Rotary beacon
- Indicator and hazard lights
- Padfoot segment kit
- Contact scrapers
- BOMAG Evib-Meter (BEM)
- TERRAMETER BTM prof
- BCM 05 Documentation system
- Special painting
- Air condition
- Sun roof
- Warning, information and operation displays
- Radio (Bluetooth)

