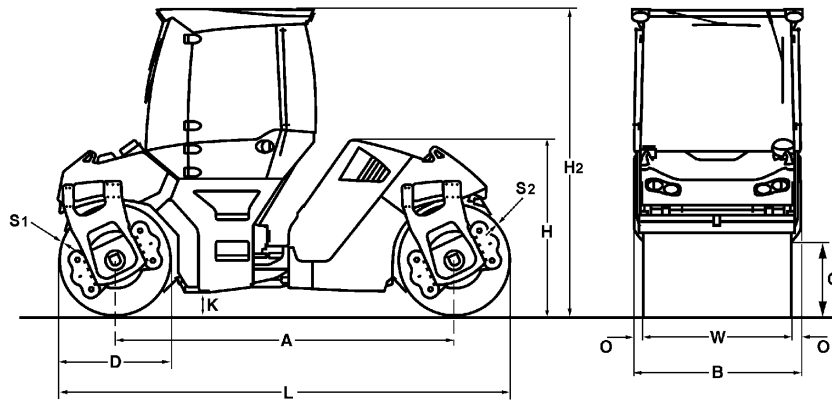


TECHNICAL DATA

BOMAG OSZILLATION

BW 161 ADO - 50, BW 202 ADO - 50





Dimensions in mm

| | A | B | C | D | H | H2 | K | L | O | S1 | S2 | W |
|------------------------|----------|----------|----------|----------|----------|-----------|----------|----------|----------|-----------|-----------|----------|
| BW 161 ADO - 50 | 3620 | 1836 | 670 | 1220 | 2315 | 3050 | 250 | 4840 | 78 | 17 | 20 | 1680 |
| BW 202 ADO - 50 | 3620 | 2291 | 670 | 1220 | 2315 | 3050 | 250 | 4840 | 78 | 19 | 20 | 2135 |

Shipping dimensions in m3

BW 161 ADO - 50
BW 202 ADO - 50

without ROPS

20,572
 25,670

with ROPS

27,103
 33,820

| Machine type | Compaction output (m3/h) at recommended soil layer thicknesses | | |
|---------------------|---|-------------------|-------------------|
| | Gravel, sand | Mixed soil | Silt, clay |
| BW 161 ADO - 50 | 150-320 | 140-260 | 100-220 |
| BW 202 ADO - 50 | 280-550 | 200-400 | 150-250 |

| Machine type | Compaction output (t/h) at different asphalt layer thicknesses | | |
|---------------------|---|---------------|-----------------|
| | 2-4 cm | 6-8 cm | 10-14 cm |
| BW 161 ADO - 50 | 50-100 | 100-200 | 150-230 |
| BW 202 ADO - 50 | 80-160 | 130-270 | 200-340 |

Technical Data**BOMAG
BW 161 ADO - 50****BOMAG
BW 202 ADO - 50****Weights**

| | | | |
|--------------------------------------|-------|--------|--------|
| Operating weight CECE w. cab. | kg | 9.800 | 11.850 |
| Axle load, front CECE | kg | 5.100 | 6.350 |
| Axle load, rear CECE | kg | 4.600 | 5.500 |
| Static linear load, front CECE | kg/cm | 30,4 | 29,7 |
| Static linear load, rear CECE | kg/cm | 27,4 | 25,8 |
| Grossweight | kg | 10.800 | 12.800 |

Dimensions

| | | | |
|---------------------------|----|-------|-------|
| Track radius, inner | mm | 4.900 | 4.673 |
|---------------------------|----|-------|-------|

Driving Characteristics

| | | | |
|---|------|---------|---------|
| Max. travel speed | km/h | 0- 12,0 | 0- 12,0 |
| Max. gradeability without/with vibr. | % | 35/30 | 35/30 |

Drive

| | | | |
|------------------------------|-------|------------------|------------------|
| Engine manufacturer | | Deutz | Deutz |
| Type | | BF4M 2012 C | BF4M 2012 C |
| Emission stage | | Stage II / TIER2 | Stage II / TIER2 |
| Cooling | | Liquid | Liquid |
| Number of cylinders | | 4 | 4 |
| Performance ISO 14396 | kW | 103,0 | 103,0 |
| Performance SAE J 1995 | hp | 138,0 | 138,0 |
| Speed | min-1 | 2.500 | 2.500 |
| Electric equipment | V | 12 | 12 |

Brakes

| | | | |
|---------------------|--|------------|------------|
| Service brake | | hydrost. | hydrost. |
| Parking brake | | multi disc | multi disc |

Steering

| | | | |
|-----------------------|--|--------------|--------------|
| Steering system | | oscil.artic. | oscil.artic. |
|-----------------------|--|--------------|--------------|

Exciter system

| | | | |
|-----------------------------|----|-----------|-----------|
| Vibrating drum | | front | front |
| Autom. vibr. shut off | | standard | standard |
| Frequency | Hz | 40/55 | 40/55 |
| Amplitude | mm | 0,87/0,44 | 0,84/0,31 |
| Centrifugal force | kN | 95/90 | 126/88 |
| Centrifugal force | t | 9,7/9,2 | 12,8/9,0 |
| Oscillating drum | | rear | rear |
| O. Frequency | Hz | 40 | 40 |
| O. Amplitude | mm | 1,03 | 1,02 |

Capacities

| | | | |
|-------------|---|-------|-------|
| Fuel | l | 145,0 | 145,0 |
| Water | l | 750,0 | 750,0 |

Technical modifications reserved. Machines may be shown with options.

Standard Equipment

- Front drum vibration: 2 amplitudes / 2 frequencies
- TanGO Rear drum Oscillation: 1 Amplitude/ 1 Frequency
- Highly wear resistant oscillation drum
- Autom. vibration operation
- Individual vibration control
- Driver's seat, slewable
 - laterally slidable with steering wheel
- V-belt protection
- Pressure sprinkling system with 2 pumps
- Back-up alarm
- Battery disconnect switch
- Folding scrapers

Optional Equipment

- ROPS cabin with seat belts
 - + heating, Ventilation
 - + 4 Working head lights
- Crab-walk to both sides (170mm)
- ROPS cabin with air conditioning
- Rotary beacon
- 2 LED-lights for cabin roof (flatbeam)
- ROPS/FOPS
- Asphalt temperature display
- BOMAG TELEMATIC START
- Compartments for documents and tools
- Outside mirrors
- Working lights
- Lights with german regulations
- Frequency 67Hz(BW161),70Hz(BW202)
- ECONOMIZER
- Edge cutter

