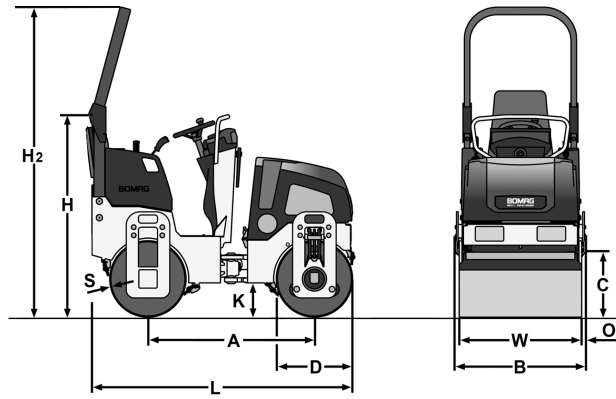


TECHNICAL DATA

TANDEM ROLLERS

BW 900-50





Dimensions in mm

	A	B	C	D	H	H2	K	L	O	S	W
BW 900-50	1223	961	450	560	1727	2290	250	1967	31	8	900

Shipping dimensions in m3

BW 900-50

without ROPS

3,265

with ROPS

4,901

Machine type	Compaction output (m3/h) at recommended soil layer thicknesses		
	Gravel, sand	Mixed soil	Silt, clay
BW 900-50	50-100	35-70	30-55

Machine type	Compaction output (t/h) at different asphalt layer thicknesses		
	2-4 cm	6-8 cm	10-14 cm
BW 900-50	10-25	20-40	30-60

Technical Data

HONDA BW 900-50

Weights

Operating weight CECE	kg	1.200
Average axle load CECE	kg	599
Average static linear load CECE	kg/cm	6,7

Dimensions

Working width	mm	900
Track radius, inner	mm	1.647

Driving Characteristics

Working speed with vibration	km/h	0- 4,0
Max. travel speed	km/h	0- 8,7
Max. gradeability without/with vibr.	%	40/30

Drive

Engine manufacturer		Honda
Type		GX 630
Cooling		air
Number of cylinders		2
Performance SAE J 1349	kW	14,9
Speed	min-1	3.300
Electric equipment	V	12
Drive system		hydrost.
Driven drum		2

Brakes

Service brake		hydrost.
Parking brake		mech.

Steering

Steering system		oscil.artic.
Steering method		hydrost.
Steering angle +/-	grad	33
Oscillating angle +/-	grad	6

Exciter system

Vibrating drum		front
Drive system		hydrost.
Frequency	Hz	70
Amplitude	mm	0,50
Centrifugal force	kN	15

Sprinkler System

Type of sprinkling		pressure
--------------------------	--	----------

Capacities

Fuel	l	27,0
Water	l	137,0

Technical modifications reserved. Machines may be shown with options.

Standard Equipment

- Hydrostatic travel and vibration drive
- Front drum vibration
- Travel drive in series
- Oscillating artic. center joint
- Hydrostatic articulated steering
- Mechanical parking brake
- Vibration control in travel lever
- 2 scrapers per drum
- Plastic water tank
- Pressure sprinkler system
- Hour meter
- Low fuel level indicator
- Control and warning indicator lights
- Automatic shutdown at low oil level
- Lockable anti vandal dashboard protection
- Single point lifting device
- Lockable engine cover
- Transport lashing and lifting points
front/rear
- Emergency engine shut down
- Corrosion and weather protected ignition
switch
- Seat belt
- Back-up alarm

Optional Equipment

- ROPS
- Foldable ROPS
- Working lights front and rear

