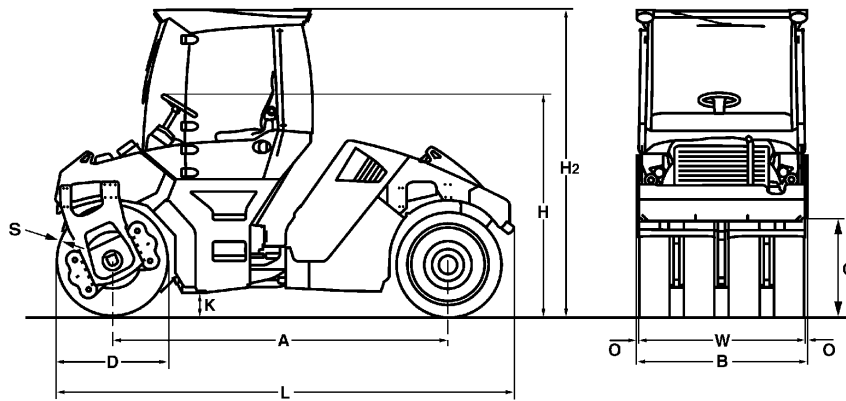


TECHNICAL DATA

COMBINATION ROLLER

BW 151 AC - 50, BW 161 AC - 50





Dimensions in mm

	A	B	C	D	H	H2	K	L	O	S	W
BW 151 AC - 50	3300	1844	730	1100	2200	3000	250	4400	82	16	1680
BW 161 AC - 50	3620	1836	670	1220	2315	3050	250	4840	78	17	1680

Shipping dimensions in m3

BW 151 AC - 50
BW 161 AC - 50

without ROPS

17,850
 20,572

with ROPS

24,341
 27,103

Machine type	Compaction output (t/h) at different asphalt layer thicknesses		
	2-4 cm	6-8 cm	10-14 cm
BW 151 AC - 50	40-50	60-120	80-130
BW 161 AC - 50	40-80	100-180	140-200

Technical Data**BOMAG
BW 151 AC - 50****BOMAG
BW 161 AC - 50****Weights**

Operating weight CECE w. ROPS-cabin	kg	7.500	9.700
Static linear load CECE	kg/cm	23,2	30,4
Axle load, drum CECE	kg	3.900	5.100
Axle load, wheels CECE	kg	3.600	4.600
Wheel load CECE	kg	900	1.150
Grossweight	kg	8.500	11.200

Dimensions

Track radius, inner	mm	4.390	4.900
Length (without towing hitch)	mm	4.400	4.840

Driving Characteristics

Max. travel speed	km/h	0- 11,0	0- 12,0
Max. gradeability without/with vibr.	%	40/30	35/30

Drive

Engine manufacturer		Kubota	Deutz
Type		V 3307 DI-T	BF4M 2012 C
Emission stage		Stage IIIa / TIER4i	Stage II / TIER2
Cooling		Liquid	Liquid
Number of cylinders		4	4
Performance ISO 14396	kW	55,4	103,0
Performance SAE J 1995	hp	74,3	138,0
Speed	min-1	2.200	2.500

Drums and Tyres

Drum width	mm	1.680	1.680
Number of tyres		4	4
Tyre size		11,00-20 18PR	11,00-20 18PR

Brakes

Service brake		hydrost.	hydrost.
Parking brake		multi disc	multi disc

Steering

Steering system		oscil.artic.	oscil.artic.
-----------------------	--	--------------	--------------

Exciter system

Vibrating drum		front	front
Autom. vibr. shut off		standard	standard
Frequency	Hz	45/55	40/55
Amplitude	mm	0,68/0,27	0,87/0,44
Centrifugal force	kN	75/45	95/90

Capacities

Fuel	l	125,0	145,0
Water	l	600,0	750,0

Technical modifications reserved. Machines may be shown with options.

Standard Equipment

- 2 amplitudes / 2 frequencies
- Autom. vibration operation
- Driver's seat, slewable (-15/+75°)
laterally slidable with steering wheel
- V-belt protection
- Pressure sprinkling system with 3 pumps
(Water/Emulsion)
- Back-up alarm
- Battery disconnect switch
- Emergency stop button
- Folding scrapers

Optional Equipment

- ROPS cabin with seat belts
+ heating, Ventilation
+ 4 Working head lights
- ROPS cabin with air conditioning
- BCM-Documentation system
- Rotary beacon
- 2 LED-lights for cabin roof (flatbeam)
- Edge cutter
- ROPS/FOPS with safety belt
- Asphalt temperature display
- Frequency 70Hz
- Thermal aprons
- BOMAG TELEMATIC START
- Crab-walk to both sides (170mm)
- ECONOMIZER
- Edge cutter

