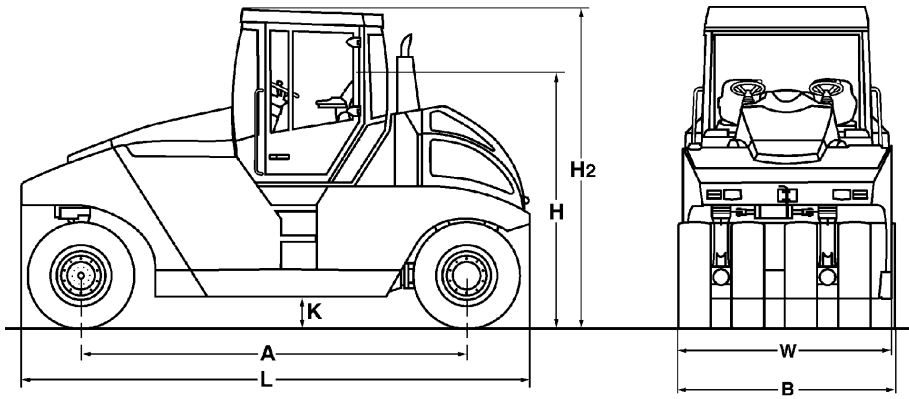


# TECHNICAL DATA

PNEUMATIC TYRED ROLLERS

BW 24 RH, BW 27 RH





**Dimensions in mm**

	<b>A</b>	<b>B</b>	<b>H</b>	<b>H2</b>	<b>K</b>	<b>L</b>	<b>W</b>
<b>BW 24 RH</b>	3700	2098	2840	3090	300	4940	2042
<b>BW 27 RH</b>	3700	2098	2840	3090	300	4940	2042

**Shipping dimensions in m3**

**BW 24 RH**  
**BW 27 RH**

**without ROPS**

29,434  
29,434

**with ROPS**

32,025  
32,025

<b>Machine type</b>	<b>Compaction output (m3/h) (layer thickness) at recommended soil layer thicknesses</b>		
	<b>Silt, clay (0,20 m)</b>	<b>Gravel, sand (0,30 m)</b>	<b>Mixed soil (0,25 m)</b>
BW 24 RH	100-180	75-150	75-150
BW 27 RH	120-250	120-200	80-180

<b>Machine type</b>	<b>Compaction output (t/h) at different asphalt layer thicknesses</b>		
	<b>2-4 cm</b>	<b>6-8 cm</b>	<b>10-12 cm</b>
BW 24 RH	20-50	50-80	70-130
BW 27 RH	30-80	60-100	80-150

## Technical Data

## BOMAG BW 24 RH

## BOMAG BW 27 RH

### Weights

Operating weight CECE w. ROPS-cabin .....	kg	8.800	13.600
Grossweight .....	kg	24.300	27.000
Max. middle wheel load CECE .....	kg	3.000	3.375

### Dimensions

Track radius, inner .....	mm	5.320	5.320
---------------------------	----	-------	-------

### Driving Characteristics

Speed (1) .....	km/h	0- 7,0	0- 7,0
Speed (2) .....	km/h	0- 10,5	0- 10,5
Speed (3) .....	km/h	0- 20,0	0- 20,0
Max. gradeability (dep. on soil con.) .....	%	30	27

### Drive

Engine manufacturer .....		Deutz	Deutz
Type .....		TCD 2012 L04 2V	TCD 2012 L04 2V
Emission stage .....		3a/3	3a/3
Cooling .....		water	water
Number of cylinders .....		4	4
Performance ISO 14396 .....	kW	74,9	100,0
Performance SAE J 1995 .....	hp	100,4	134,0
Speed .....	min-1	2.300	2.300
Electric equipment .....	V	12	12
Drive system .....		hydrost.	hydrost.
Driven axles .....		rear	rear

### Tyres

Tyre size .....		11,00-20 18PR	11,00-20 18PR
Wheel track overlap .....	mm	42,0	42,0

### Brakes

Service brake .....		pneum./hydr.	pneum./hydr.
Parking brake .....		multi disc	multi disc

### Steering

Steering system .....		2-p. pivoted	2-p. pivoted
Steering method .....		hydrost.	hydrost.
Steering angle +/- .....	grad	30	30
Oscillation of tyres, front .....	grad	4	4
Level adjustment .....	mm	100	100

### Sprinkler System

Type of sprinkling .....		pressure	pressure
--------------------------	--	----------	----------

### Capacities

Fuel .....	l	250,0	250,0
Water .....	l	400,0	400,0
Volume of ballast compartment .....	m3	3,5	3,5

Technical modifications reserved. Machines may be shown with options.

### Standard Equipment

- Scraper per wheel
- Hour meter
- Warning horn
- Control panel for
  - Engine oil pressure
  - Engine temperature
  - Air filter vacuum
  - Charge control
  - Hydraulic oil filter
  - Coolant Level
  - fuel tank capacity
- 2 Outside mirrors
- Pressure sprinkler system
- Lockable anti vandal dashboard protection
- Operator's platform with:
  - two steering wheels
  - Laterally sliding seat
- Indicator and hazard lights
- Back-up alarm
- Central tyre inflating system

### Optional Equipment

- \* ROPS/FOPS with safety belt
- \* ROPS-cabin with heating
- \* ROPS cabin with air conditioning
- Thermal aprons
- Special painting
- Rotary beacon
- Additional weight
  - Steel 4.800kg (BW24RH)
  - Granulate 5.000kg (BW24RH)
  - Granulate 10.400kg
  - Granulate 13.100kg (BW27RH)
- Wheels DUNLOP 11,00-R20
- Wheels MICHELIN 13/80R20
- Profiled tyres
- Speedometer
- Watertight frame
- Tool kit
- Environmentally compliant hydraulic oil
- Tachograph
- Radio Bluetooth
- Sun roof
- Generator 230V, 50Hz
- Cold start device
- Scraper brush, spring loaded and tiltable
- Scraper coco mat, spring loaded and tiltable
- Edge cutter
- Lamp guard
- Working lights
- Railing
- BOMAG TELEMATIC
- Fire extinguisher
- Rearview camera

\* Standard delivery with CE conformity  
(valid within European Union)

